

CCG CYCLONE 60

WATER & WASTEWATER FILTRATION SYSTEM

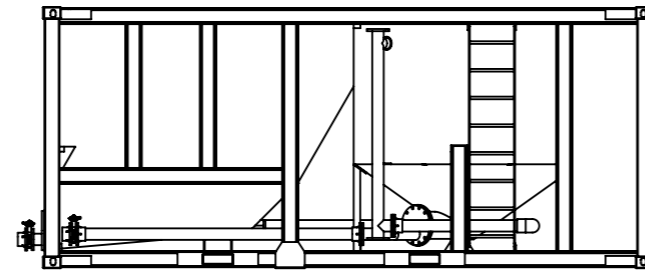
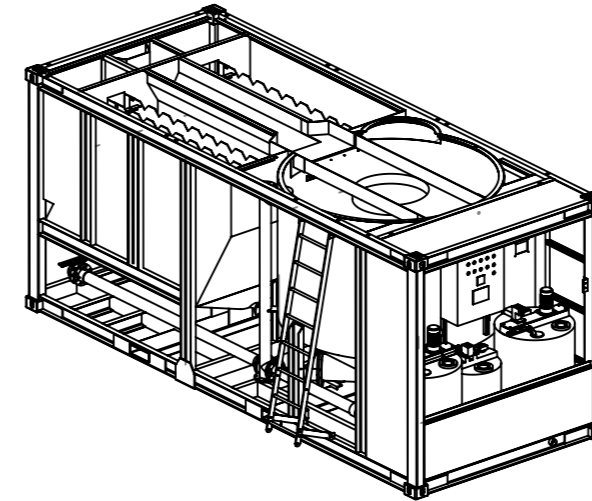


Cyclone	
Technical Feature	Auxiliary Feature
Standard ISO Container 2 Stages for Sedimentation 3 Stages for Oil Removal No Choking Design	PLC Control Secondary Containment Compartment Handrail and Grating
Mechanical Feature	Material & Coating
ISR Tank with Conical Filters for Mixing and Settling Lamella Plate Settlers for Enhanced Settling	Mild Steel Hot Dip Zinc Galvanized

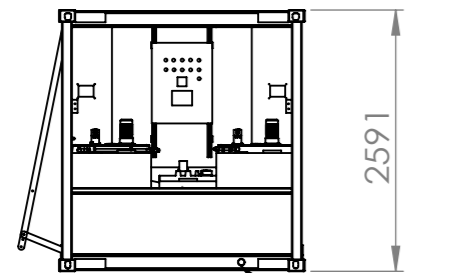
DATA & SPECIFICATION

Model	CCG CYCLONE 60
Dimension (mm)	6058(L) x 2438(W) x 2591(H)
Material	Mild Steel
Capacity (m³/h)	60
General System	(1x) Impinging Stream Reactor with Conical Filter (1x) Lamella Universal Processing Chamber with Lamella Block Filter (1x) System Control Panel
Piping	(1x) Stainless Steel Static Inline Mixer (1x) UPVC Chemical Injection/ Mixing Pipe Influent Inlet: DN100 (4") Effluent Outlet: DN150 (4") Sludge Outlet: DN100 (4")
Chemical Dosing/ Preparation System	(2x) Chemical Tanks (2x) Dosing Pumps (2x) Level Switches (2x) Chemical Mixers Chemical Dispenser
pH Adjustment System	(1x) Acid Storage Tank (1x) Acid Dosing Pump (with Display, Programmable)
Chemical Safety Spill Protection	Secondary Containment Compartment (Built in)
Auto Desludge System	(1x) Electrical Actuated Valve
PLC Control Panel	Dimension (mm): 600(L) x 260(W) x 800(H) Man-machine Interface (MMI)
Finishing/ Painting Work	Hot Dip Zinc Galvanized
Safety	Eyewash Chemical Preparation Box (Apron, Goggles, Gloves) Handrail, Grating and Ladder

NOTE(S):

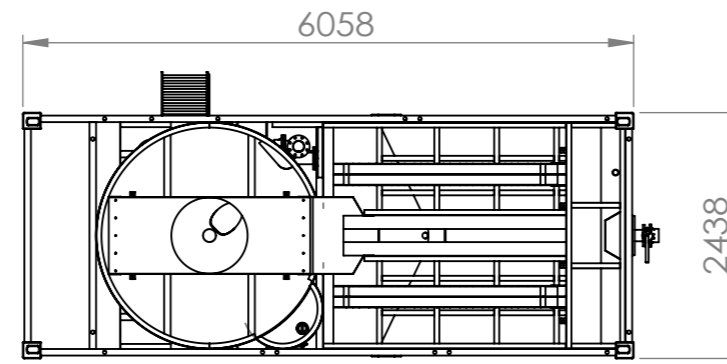


LEFT SIDE VIEW



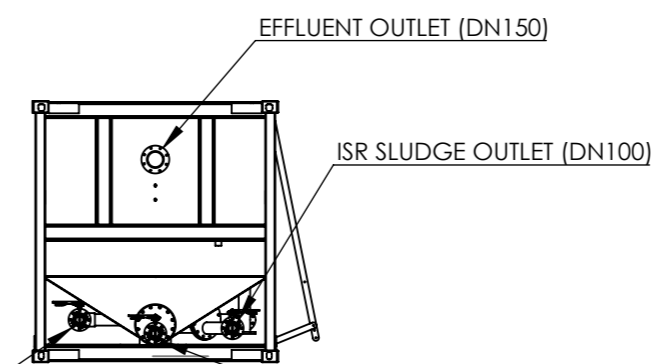
DRAIN (DN50)

FRONT VIEW



INFLUENT INLET (DN100)

TOP VIEW

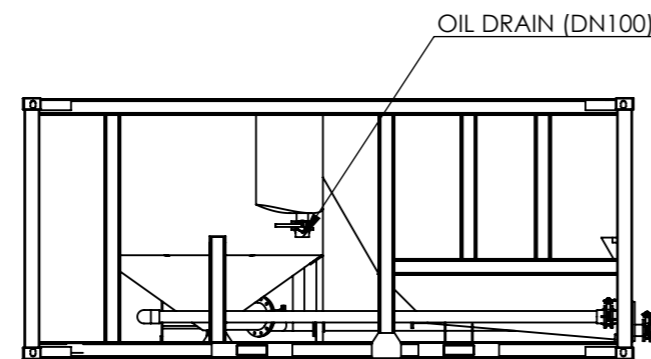


EFFLUENT OUTLET (DN150)

ISR SLUDGE OUTLET (DN100)

UPC SLUDGE OUTLET (DN100)

BACK VIEW



OIL DRAIN (DN100)

RIGHT SIDE VIEW

A			
REV.			DATE
DESIGNED	DRAWN	CHECKED	DATE
JOB NO.			
CONTRACT NO.			
JOB TITLE			
SUPPLY, DELIVERY & INSTALLATION OF WASTEWATER FILTRATION			
CCG CYCLONE 60			
DRAWING TITLE			
CCG CYCLONE 60 GENERAL ARRANGEMENT			
DRAWING NO.			SCALE

Continental Carbon Group

1100 South Service Road, Suite 321
Stoney Creek, ON L8E-0C5
Tel: 905-643-7615
info@continental-carbon.com | www.continental-carbon.com

THIS DRAWING AND DESIGN IS THE PROPERTY OF CONTINENTAL CARBON GROUP AND IS NOT TO BE REPRODUCED IN WHOLE OR IN PART NOR EMPLOYED FOR ANY PURPOSE OTHER THAN SPECIFICALLY PERMITTED IN WRITING BY CONTINENTAL CARBON GROUP.