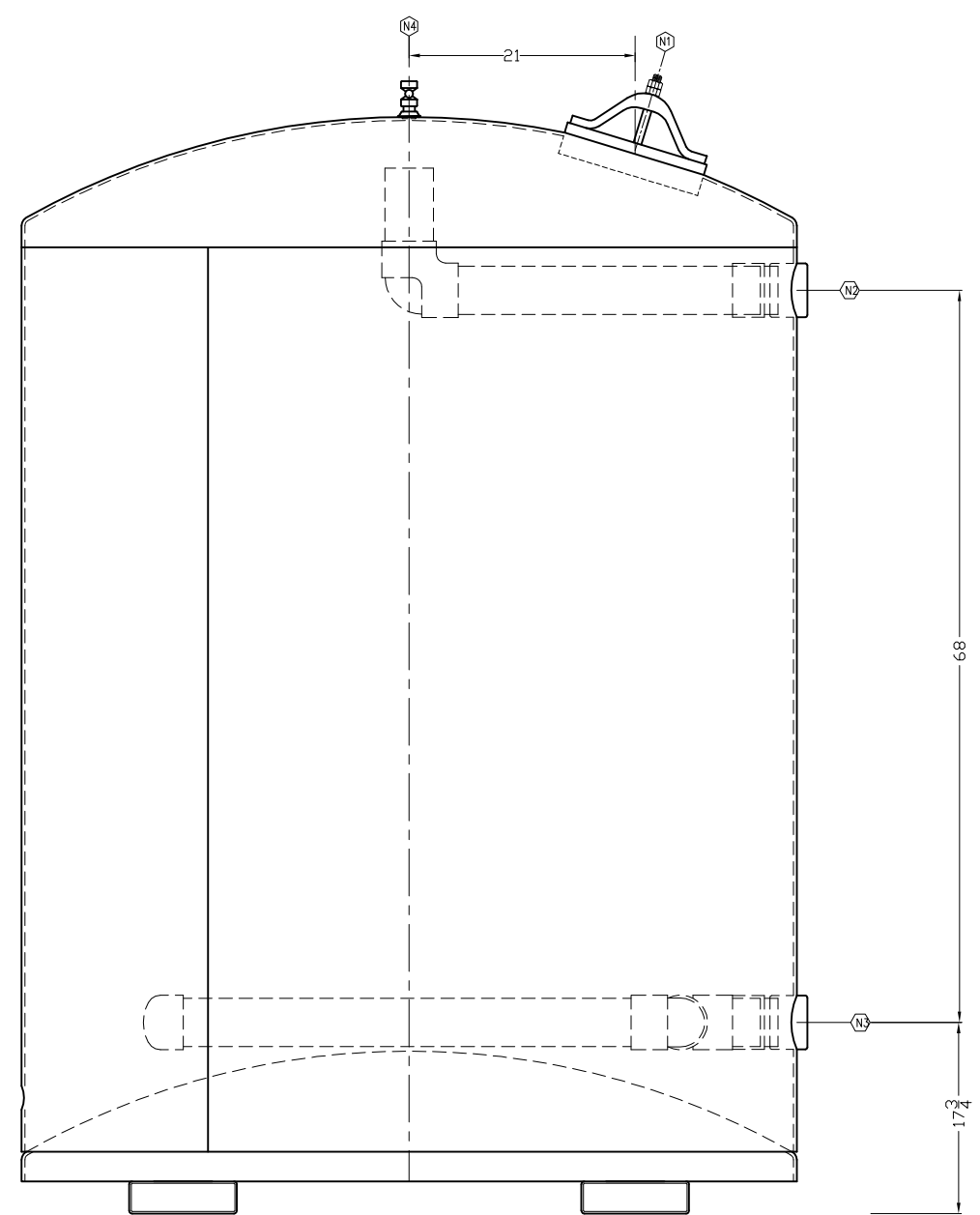


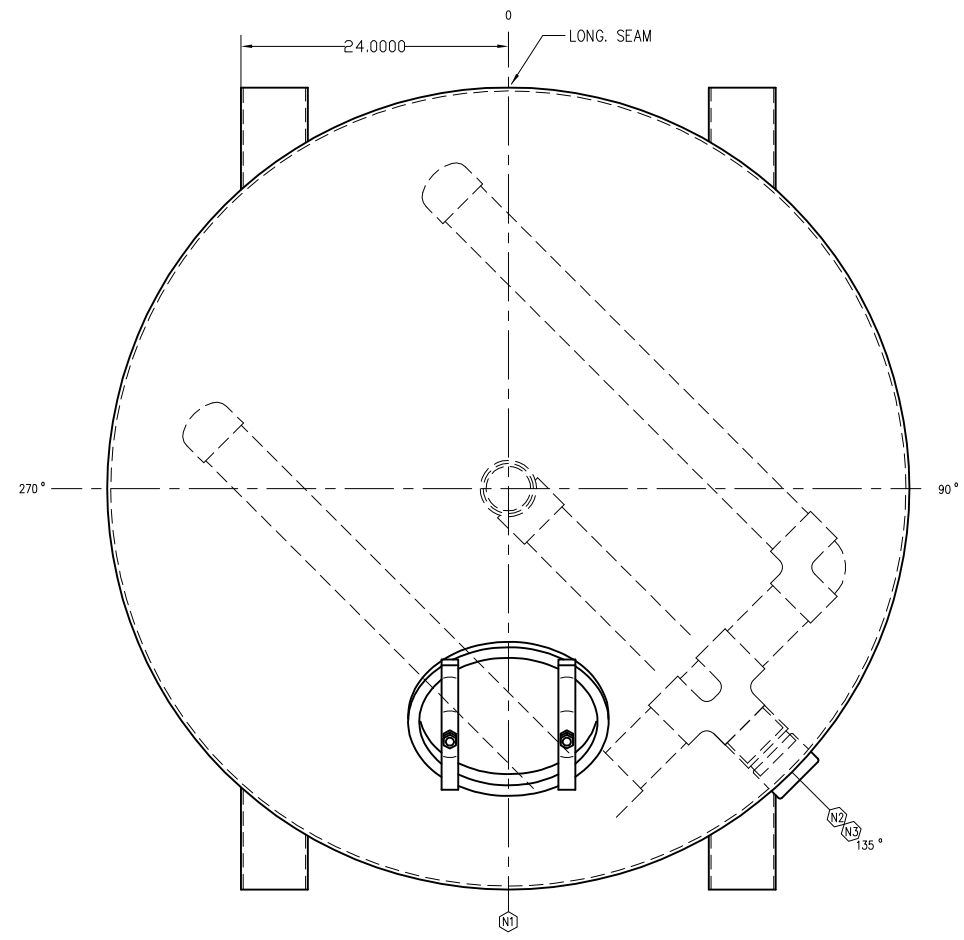
| | | | | | | | | | | | | | | | |
|-------|---------------|------|-----------|---------|---|---|---|---|----|----|----|----|----|----|----|
| 1 | 2 | 3 | 4 | 5 | 6 | 7 | 8 | 9 | 10 | 11 | 12 | 13 | 14 | 15 | 16 |
| RevNo | Revision note | Date | Signature | Checked | | | | | | | | | | | |

| NOZZLE SCHEDULE | | |
|-----------------|--------------------------|---|
| ID | Description | Service |
| N1 | 18" ROUND MANWAY w/COVER | Upper bed access with Cover (SA-36), Bolts, Neoprene Gasket |
| N2 | 4" FNPT 3000# Coupling | Process Inlet |
| N3 | 4" FNPT 3000# Coupling | Process Outlet |
| N4 | 3/4" FNPT 3000# Coupling | Vent |
| N5 | | |
| N6 | | |
| N7 | | |

| NOTES | |
|--------------|--|
| Item | Details |
| Construction | Non-Code Design Pressure: 60 PSIG @ 140 DEG F. |
| | |
| | |
| | |
| | |



ELEVATION VIEW



PLAN VIEW
TRUE ORIENTATION

| | | | | | |
|-------------|-------------|----------|-------------------|-------------------|------------|
| Designed by | Approved by | Customer | Job Number | Date | Scale/Unit |
| | | | | February 19, 2015 | NTS / Inch |
| | | | CCG-5000-T Vessel | | Drawing# |
| | | | | | |