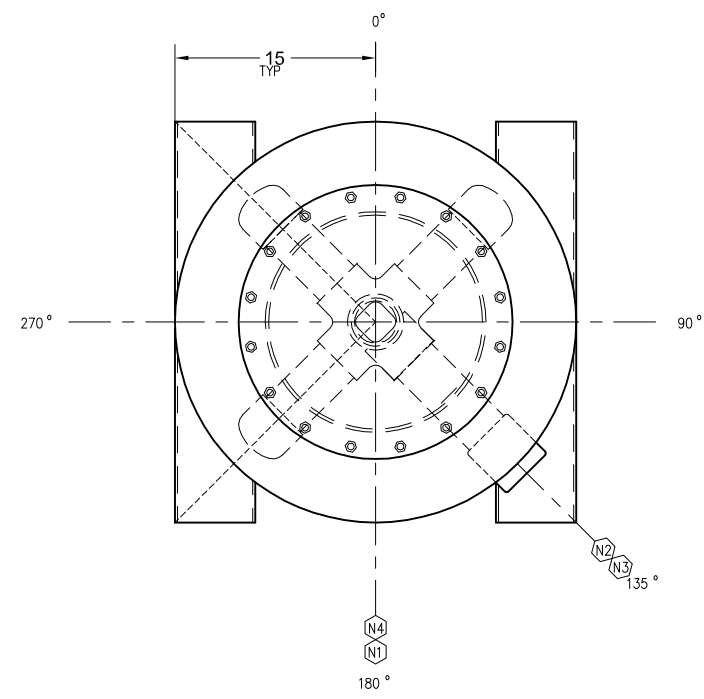


1	2	3	4	5	6	7	8	9	10	11	12	13	14	15	16
RevNo	Revision note	Date	Signature	Checked											

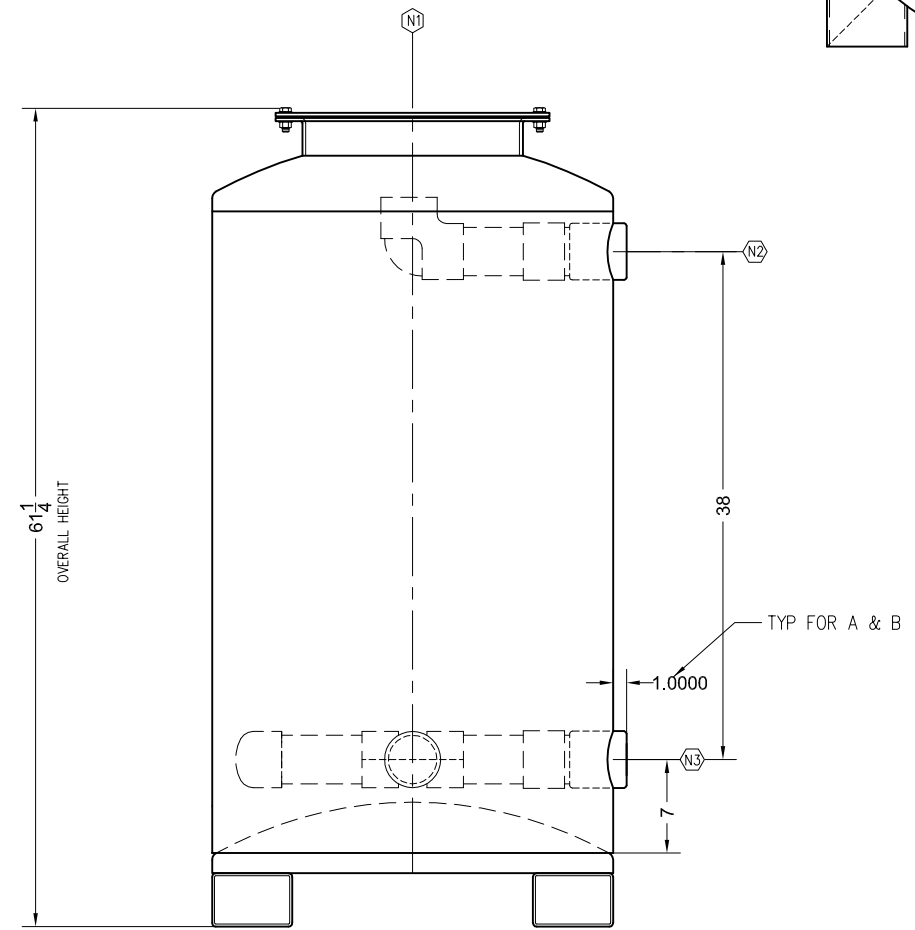
NOZZLE SCHEDULE		
ID	Description	Service
N1	18" ROUND MANWAY w/COVER	Upper bed access with Cover (SA-36), Bolts, Neoprene Gasket
N2	3" MNPT 3000# Coupling	Process Inlet
N3	3" MNPT 3000# Coupling	Process Outlet
N4	1/4" 150# Tank Flange	Vent
N5		
N6		
N7		

COATINGS SCHEDULE		
Surface	Surface Preparation	Product Specification
Internal - 1	SSPC-SP6	SW Macropoxy 646 10-20 mils DFT
Internal - 2	Inspect	n/a
External - 1	SSPC-SP6	n/a
External - 2	n/a	Carboline Carbothane 8845 3-5 mils DFT (Blue)
External - 3	n/a	n/a

NOTES	
Item	Details
Construction	Non-Code Design Pressure: 40 PSIG @ 140 DEG F.
Mtrl's Vessel	Shell: SA-36 Heads: SA-36 Pipe: SA-53 (see nozzle detail for others)
Mtrl's Interls	Hub, Laterals (.012" Slot), Diffuser, Hose: PVC Gaskets: Neoprene Hardware: Plated
n/a	n/a
n/a	n/a
Media	Virgin Liquid Phase GAC



PLAN VIEW
TRUE ORIENTATION



ELEVATION VIEW
NOT TRUE ORIENTATION

Continental Carbon Group
 1100 South Service Road, Suite 321
 Stoney Creek, ON L8E-0C5
 Tel: 905-643-7615
 info@continental-carbon.com | www.continental-carbon.com

Designed by	Approved by	Customer	Job Number	Date	Scale/Unit
				August 10, 2015	NTS / Inch
500 lb Vessel - Liquid Phase			CCG-500-T		
					Drawing#