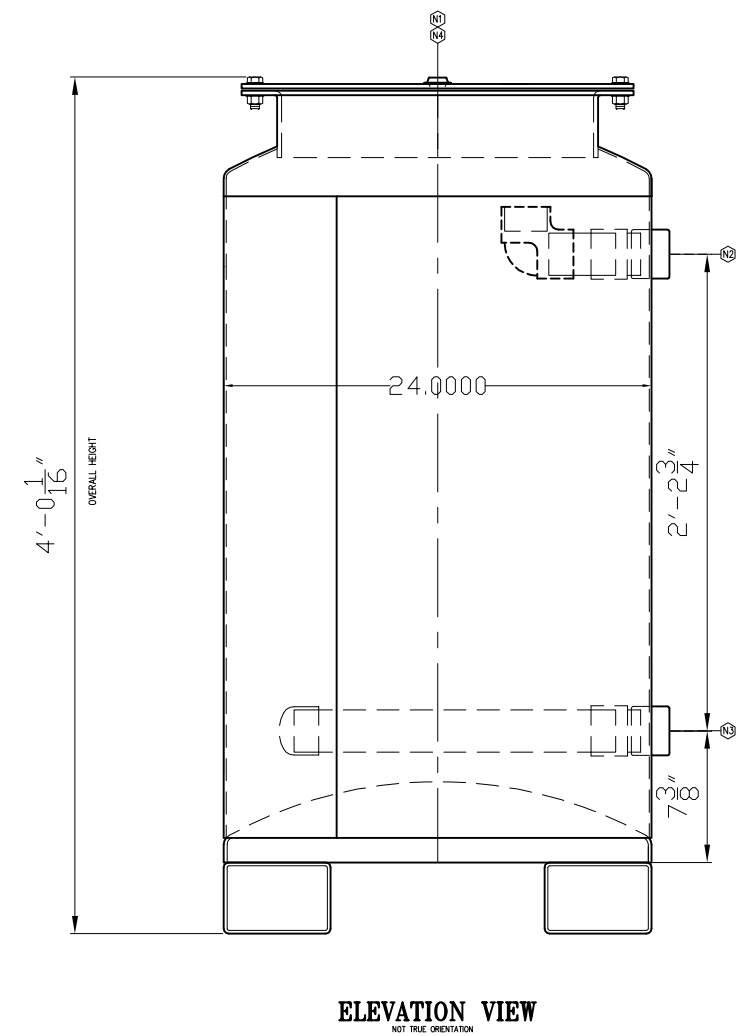
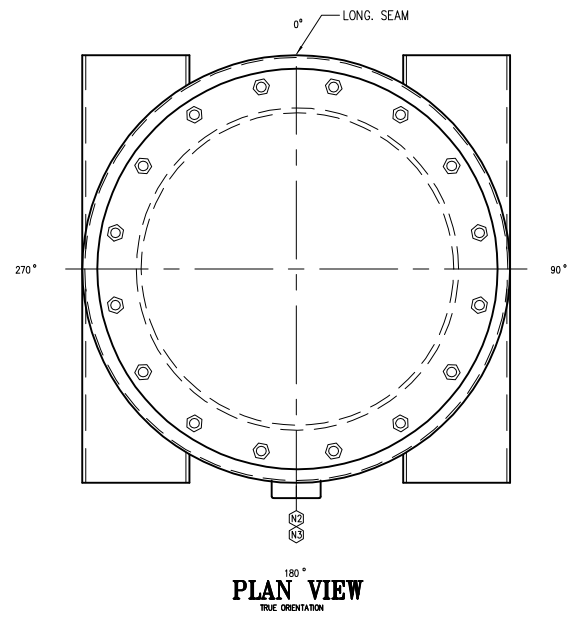


1	2	3	4	5	6	7	8	9	10	11	12	13	14	15	16
RevNo	Revision note	Date	Signature	Checked											

NOZZLE SCHEDULE		
ID	Description	Service
N1	18" ROUND MANWAY w/COVER	Upper bed access with Cover (SA-36), Bolts, Neoprene Gasket
N2	2" 3000# NPT Coupling SA-105	Process Inlet
N3	2" 3000# NPT Coupling SA-105	Process Outlet
N4	1/4" 150# Tank Flange	Vent
N5		
N6		
N7		

COATINGS SCHEDULE		
Surface	Surface Preparation	Product Specification
Internal - 1	SSPC-SP10	SW Macropoxy 646 5-10 mils DFT
Internal - 2	Inspect	SW Macropoxy 646 5-10 mils DFT
External - 1	SSPC-SP6	n/a
External - 2	n/a	Carboline Carbothane 8845 3-5 mils DFT (Blue)
External - 3	n/a	n/a

NOTES	
Item	Details
Construction	Non-Code Design Pressure: 40 PSIG @ 140 DEG F.
Mtrl's Vessel	Shell: SA-36 Heads: SA-36 Pipe: SA-53 (see nozzle detail for others)
Mtrl's Interls	Hub, Laterals (.012" Slot), Diffuser, Hose: PVC Gaskets: Neoprene Hardware: Plated
n/a	n/a
n/a	n/a
Media	TBD



Job Number	Date	Scale/Unit
Quote	September 22, 2015	NTS / Inch
250 lb Media Filter Vessel		
- CCG-250-T		Drawing#
		M-1 / R1

Continental Carbon Group
 Continental Carbon Group
 1100 South Service Rd.
 Stoney Creek, ON, L8E-0C5
 sales@continental-carbon.com