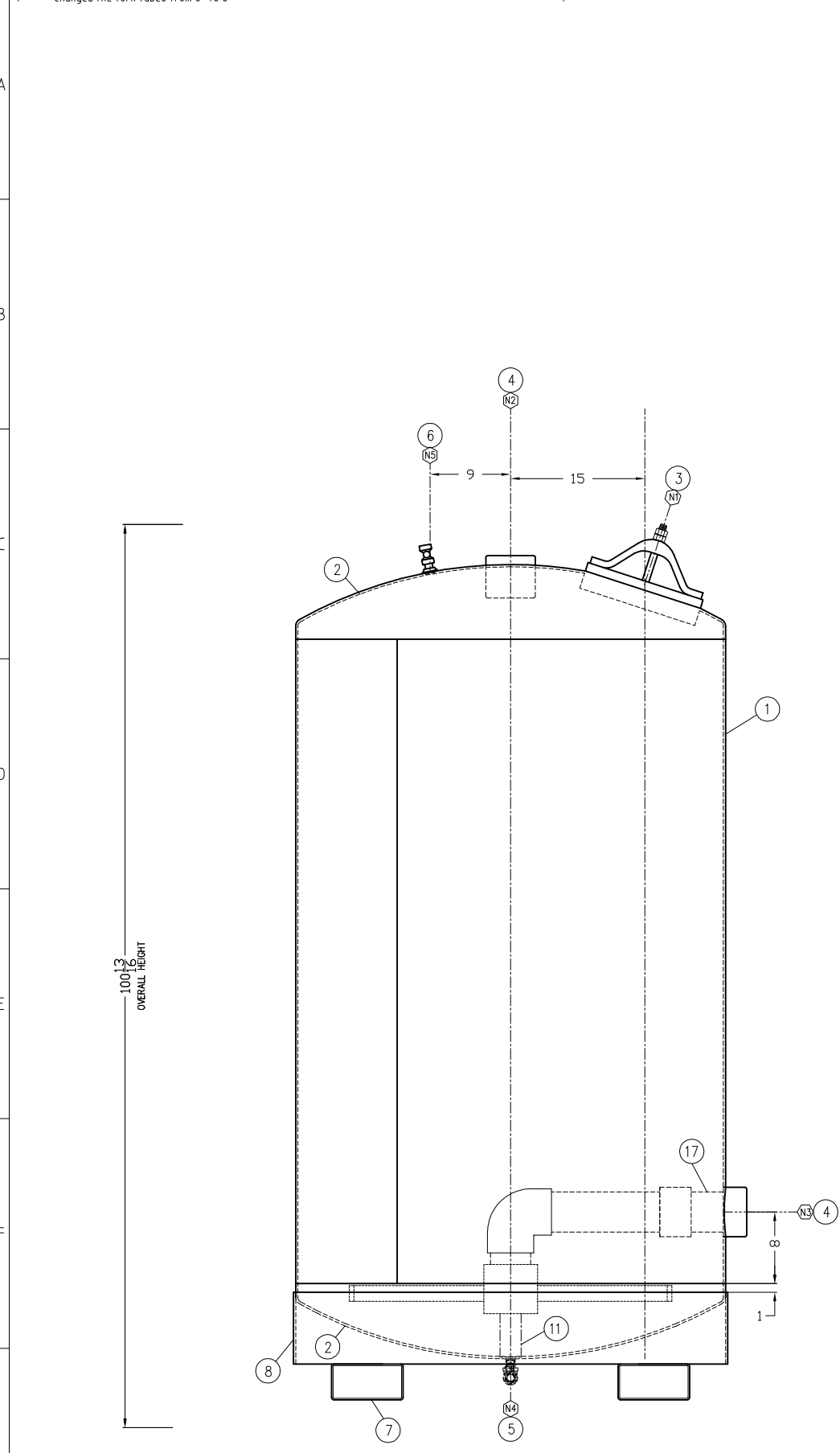
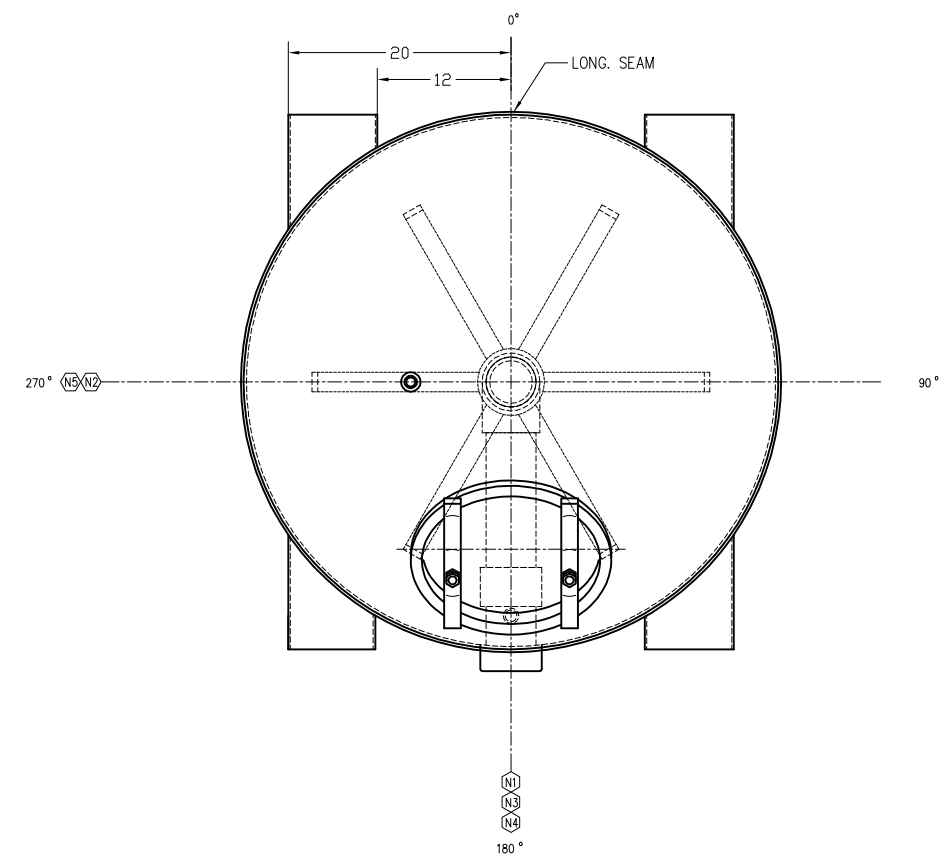


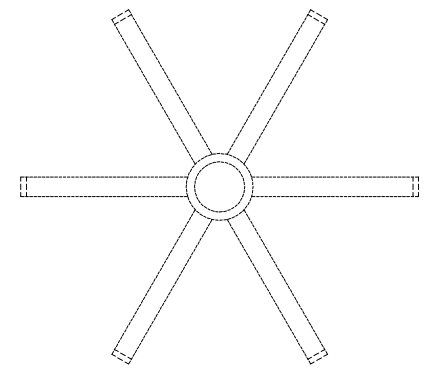
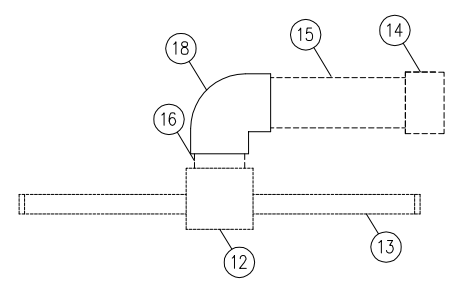
RevNo	Revision note	Date	Signature	Checked
1	Changed the fork tubes from 6" to 8"			



ELEVATION VIEW
NOT TRUE ORIENTATION



PLAN VIEW
TRUE ORIENTATION



NOZZLE SCHEDULE		
ID	Description	Service
N1	12" x 16" ELLIPTICAL MANWAY w/COVER	Upper bed access with Cover (SA-36), Bolts, Neoprene Gasket
N2	4" FNPT 3000# Coupling	Process Inlet
N3	4" FNPT 3000# Coupling	Process Outlet
N4	1/2" 150# Thrd Tank Flange	Drain w/1/2" Ball Valve
N5	3/4" 150# Thrd Tank Flange	VENT
N6		
N7		

COATINGS SCHEDULE		
Surface	Surface Preparation	Product Specification
Internal - 1	SSPC-SP6	SW Sherplate PW Epoxy 20-30 mils DFT
Internal - 2	Inspect	n/a
External - 1	SSPC-SP6	Carboline Carbocoat 8215, 2-3 mils DFT, Blue
External - 2	n/a	n/a
External - 3	n/a	n/a

NOTES	
Item	Details
Construction	Non-Code Design Pressure: 75 PSIG @ 140 DEG F.
Mtrls Vessel	Shell: SA-36 Heads: SA-36 Pipe: SA-53 (see nozzle detail for others)
Mtrls Interls	Hub, Laterals (.012" Slot), Diffuser, Hose: PVC Gaskets: Neoprene Hardware: Plated
n/a	n/a
n/a	n/a
Media	Virgin Liquid Phase Carbon

BOM		
Item	Qty	Details
1	1	1/4" PLATE x 72" x 12"- 6 1/8" LG (ROLL TO 48" OD x 72" Cylinder)
2	2	48" OD x 1/4" Nom t. NON-ASME F&D HEAD c/w 1 1/2" SF
3	1	12" x 16" x 3/4" t. x 3" DEEP NECK ELLIP HATCH CH# _____
4	2	4" - 3000# F.S. SCRD FULL COUPLING
5	1	1/2" - 150# Thrd Tank Flange w/pilot
6	1	3/4" - 150# Thrd Tank Flange w/pilot
7	2	8" x 4" x 3/16" RECT HSS x 4'- 0" LG
8	1	1/4" x 8" x 151-1/2" Lg. Roll to 48-1/2" OD
9		
10		
11	1	2" x 5-3/4" SS Pipe Nipple TOE
12	1	4" x 1-1/2" PVC 80 Hub
13	6	1-1/2" x 15" PVC 80 Lateral Capped x Thrd. w/.010 Slots
14	1	4" Ferronco Neoprene Coupling
15	1	4" x 16-1/8" PVC80 Pipe Nipple
16	1	4" x 6" PVC80 Pipe Nipple
17	1	2" x 3" SS Pipe Nipple PE
18	1	4" PVC 80 90 Degree Elbow

Designed by	Approved by	Continental Carbon Group	Job Number	Date	Scale/Unit
				December 3, 2014	NTS / Inch



CCG-2000-T Vessel

Drawing#