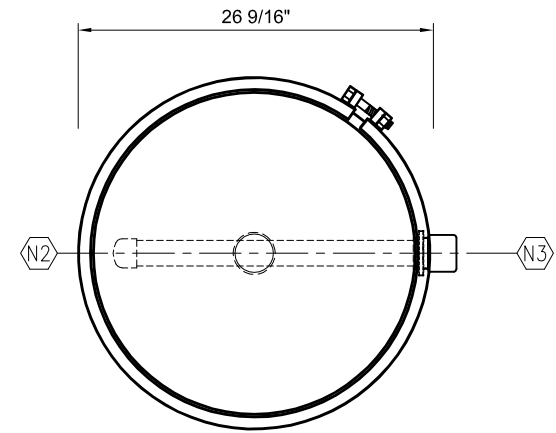


RevNo	Revision note	Date	Signature	Checked
-------	---------------	------	-----------	---------

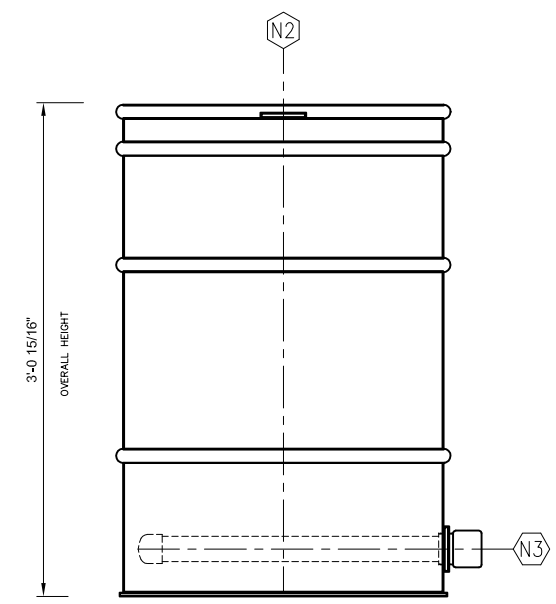
NOZZLE SCHEDULE		
ID	Description	Service
N1		
N2	2" 3000# Thrd Coupling FNPT	Process Inlet
N3	2" 3000# Thrd Coupling FNPT	Process Outlet
N4		
N5		
N6		
N7		

COATINGS SCHEDULE		
Surface	Surface Preparation	Product Specification
Internal - 1	n/a	n/a
Internal - 2	n/a	n/a
External - 1	n/a	n/a
External - 2	n/a	n/a
External - 3	n/a	n/a

NOTES	
Item	Details
Construction	Non-Code Design Pressure: 10 PSIG @ 140 DEG F.
Mtrl's Vessel	Shell: SA-36 Heads: SA-36 Pipe: SA-53 (see nozzle detail for others)
Mtrl's Interls	n/a
n/a	n/a
n/a	n/a
Media	n/a



**PLAN VIEW**  
TRUE ORIENTATION



**ELEVATION VIEW**  
NOT TRUE ORIENTATION

**Continental Carbon Group**  
 1100 South Service Road, Suite 321  
 Stony Creek, ON L8E-0C5  
 Tel: 905-643-7615  
 info@continental-carbon.com | www.continental-carbon.com

Designed by	Approved by	Customer	Job Number	Date	Scale/Unit NTS / Inch
55 Gallon Drum-Liquid Phase			55 Gallon CCG - Adsorber		
					Drawing#